

EXtract 830 hygienic applications



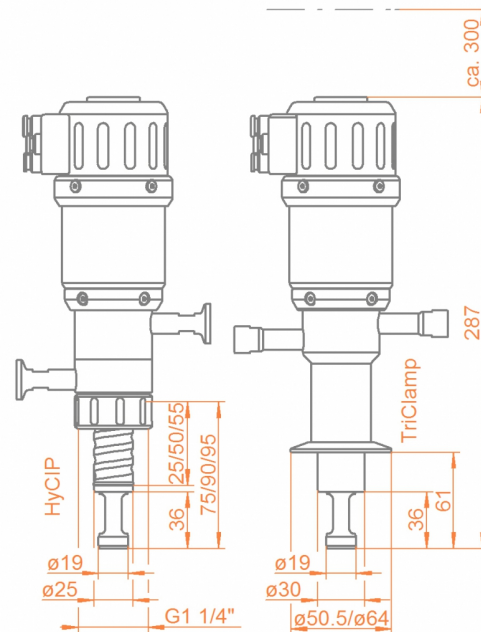
- » Hygienic design, EHEDG- / 3A-approved process connections
- » Extension of sensor-lifetime and reducing of maintenance efforts
- » Automatic safety lock while sensor is removed
- » Plug and play installation, colour- and size-coded connection system
- » Integrated limit switches
- » Usable in ATEX-areas
- » AISI 316L / 1.4404, surface finish Ra < 0.78 electropolished

EXtract 830 is a pneumatically operated retractable probe housing made of stainless steel for hygienic installation of Ø12-225mm sensors on tanks or pipelines.

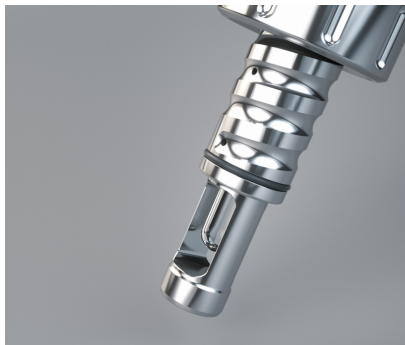
Specifications

Process pressure:	0...16 bar
Process temperature:	-10...140 °C
Ambient temperature:	-10...70 °C
Sensors:	225mm Ø12 PG 13.5
Materials:	stainless steel 1.4404/316L
Process surface:	<Ra 0.78µm, electropolished
Sealings:	EPDM FDA USP VI, FPM (Viton)
Process connection:	Ingold DN25 G1¼", HyCIP® OP25/50/55mm, TriClamp 1-1.5", TriClamp 2", Varivent N DN40-125, Neumo BioControl D50, DIN11851 DN50
Cleaning ports:	G1/8", G1/4", FNPT 1/4"
Operating power:	compressed air 4...6 bar
Limit switches:	pneumatic, integrated

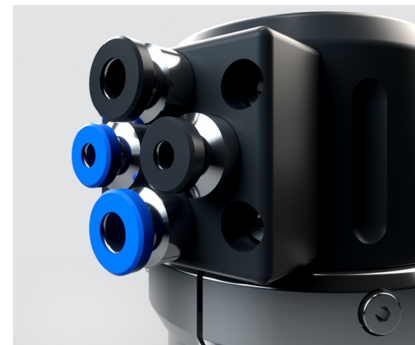
Dimensions



EXtract 830 hygienic applications



Process connection HyCIP® OP55 - measuring position



Connection board EXtract - pneumatic connections

Order code

Code	Material (wetted parts)	Delivery time
4404	Stainless steel 1.4404 / 316L	2 Weeks
Code	Sealing material (wetted sealings)	Delivery time
EPD	EPDM/FDA/USP VI	2 Weeks
FPM	FPM (Viton)	2 Weeks
Code	Sensor type	Delivery time
225	225mm PG 13,5 gel-filled	2 Weeks
280	280mm PG 13,5 liquid filled	2 Weeks
Code	Process connection	Delivery time
IN28	Ingold DN25 G1 1/4" O-Ring-position 28mm	2 Weeks
IH25	Ingold DN25 G1 1/4" HyCIP® - OP25mm	2 Weeks
IH55	Ingold DN25 G1 1/4" HyCIP® - OP55mm	2 Weeks
IH50	Ingold DN25 G1 1/4" HyCIP® - OP50mm	2 Weeks
VARN	Varivent N DN40-125	3 Weeks
TC15	TriClamp 1-1,5" (OD Ø50.5mm)	3 Weeks
TC20	TriClamp 2.0 (OD Ø64mm)	3 Weeks
BCT5	NEUMO BioControl D50	3 Weeks
MV50	DIN 11851 DN50 (dairy connection)	3 Weeks
Code	Cleaning connection	Delivery time
G18	G 1/8" female thread	2 Weeks
G14	G 1/4" female thread	2 Weeks
N14	1/4" NPT female thread	2 Weeks
Code	Position switch	Delivery time
PN	pneumatic	2 Weeks