

EXstatic 340 universal sensor holder



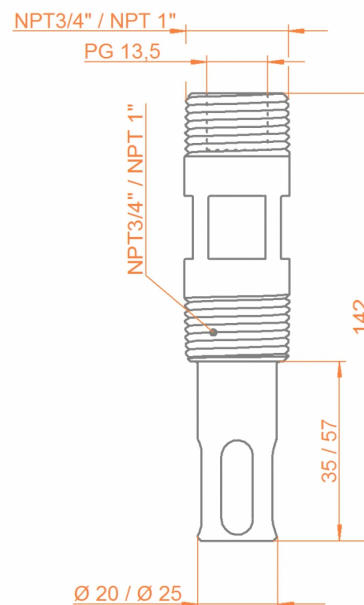
- » Replacement for US-sensors with NPT-thread
- » Stainless steel AISI 316L / 1.4404 / PVDF / PP
- » Sealing compounds EPDM / FPM (Viton) / FFKM (Kalrez)
- » Process connection NPT 3/4" or 1"
- » Optional sensor protection cage
- » Up to 10 bar and 140 °C

Static probe housing made from stainless steel or plastic for permanent installation of Ø12mm/120mm-sensors in tanks or pipes mainly in established ¾" NPT or 1" NPT sockets.

Specifications

Process pressure:	0...10 bar
Process temperature:	-10...140 °C
Material:	1.4404 / 316L, PP or PVDF
Surface:	Ra<0,78
Sealing material:	EPDM, FPM (Viton) or FFKM (Kalrez)
Certificates:	material, sealing compound
Option:	with or without protection cage
Process connection:	NPT 3/4" oder NPT 1"
Sensors:	120 mm Ø12 PG13,5

Dimensions



EXstatic 340 universal sensor holder



Protection cage EXstatic 340



Sensor adaptation of Ø12mm PG13.5 for installations with NPT threads

Order code

Code	Material (wetted parts)	Delivery time
04	Stainless steel 1.4404 / 316L Ra0,78	2 Weeks
PP	PP	2 Weeks
PV	PVDF	4 Weeks

Code	Process connection	Delivery time
N10	MNPT 1"	2 Weeks
N34	MNPT 3/4"	2 Weeks

Code	Sealing material (wetted sealings)	Delivery time
EPD	EPDM/FDA/USP VI	2 Weeks
FPM	FPM (Viton)	2 Weeks
FKM	FFKM (Kalrez)	2 Weeks

Code	Protection cage	Delivery time
0	without	2 Weeks
1	with protection cage	2 Weeks